

# **GRANGER PLASTICS**



**SOLUTIONS BEYOND EXPECTATIONS**

**YOUR PARTNER IN  
CUSTOM ROTATIONAL MOLDING**

**1600 M.A.D.E. INDUSTRIAL DRIVE  
MIDDLETOWN, OH 45044  
PHONE (513) 424-1955  
FAX (513) 424-4799**

***www.grangerplastics.com***

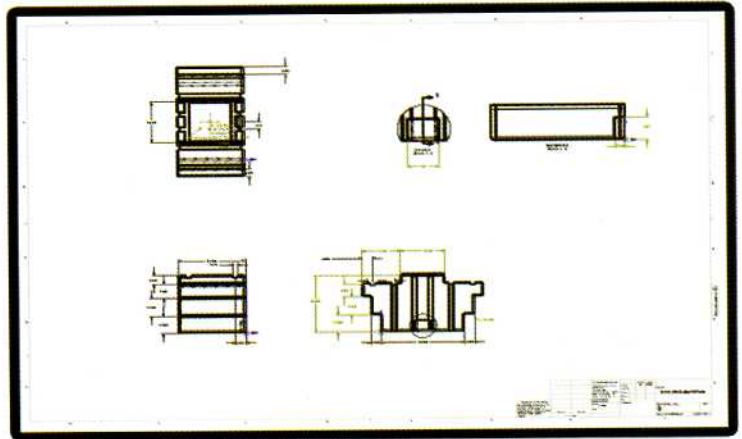
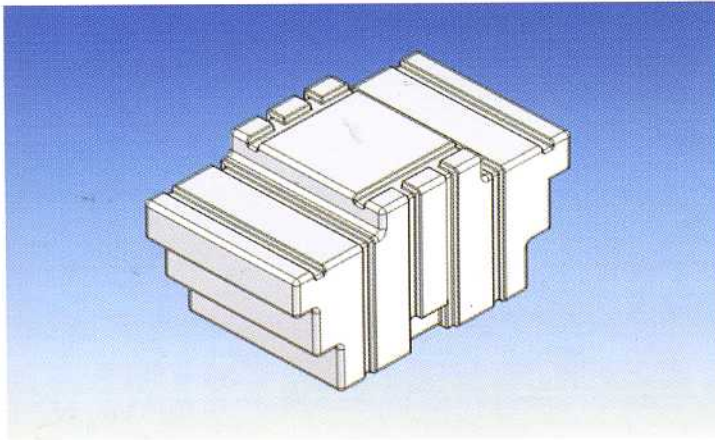
# MISSION STATEMENT

The Granger Plastics Company is committed to producing high quality parts, for on-time delivery to our customers, both internal and external.

We will perpetuate a never-quit attitude along with some aggressive risk taking to allow us to consistently think outside "the norm" to satisfy the ever-changing needs of our customers and ourselves.

We will accept nothing less than the expected requirements of quality and service to always maintain the integrity of the Granger Plastics name. We will always strive for excellence in our quest for World Class Manufacturing.

## CONCEPT AND DESIGN



Since the founding of Granger Plastics, we have provided solutions for customers in many industries, from aerospace to waste management. We offer design assistance through 3-D modeling software and have the capabilities to provide prototypes for most designs. When your needs arise and you desire to obtain products that are top quality, on time, cost effective and from a supplier in which you can always rely,

**Call Granger Plastics!**  
**(513) 424-1955 Phone**  
**(513) 424-4799 Fax**

